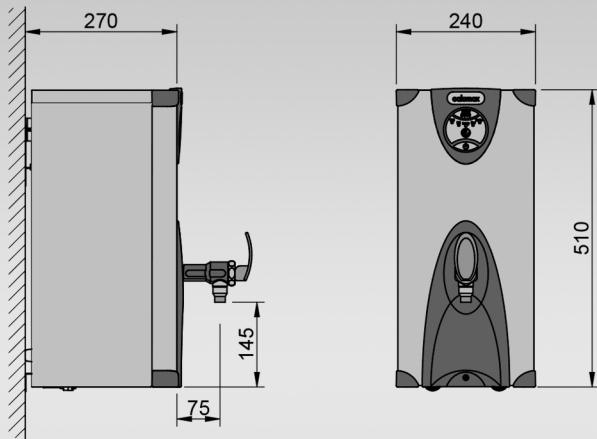


# ECLIPSE 3W5-W



## Key Features:

- UK designed and made
- 5L rapid draw off
- Temperature controlled between 96°C and 97°C
- Easy install and service features - removable front panel
- Energy-saving "eco" button which reduces the volume of boiling water by 50% at "off peak" times of demand
- Antimicrobial protection in the tap handle and spill tray
- Clear and unambiguous self-diagnostic display panel
- Integral scale-inhibitor technology
- Extended 2-year warranty
- No steam emissions
- Discrete on/off switch incorporated into moulding
- Competitively priced
- Cool-to-touch outer casing
- Push-fit and compression adapter included to simplify installation



| SIZE    | REF   | CASING | RATING | CAPACITY<br>(including initial draw-off) | DIMENSIONS<br>(W x D x H) |
|---------|-------|--------|--------|--|---------------------------|
| 5 LITRE | 3W5-W | WHITE  | 3kW    | 25 LITRES<br>PER HOUR                    | 240 x 270 x 510           |